

[www.heated-towel-rails-warmers.co.uk](http://www.heated-towel-rails-warmers.co.uk) is a trading name of (Clayton Horsnell LTD)

*We are an established company which is rapidly growing. The company runs along side a family business with over 40 years of experience in trade, retail and distribution in the plumbing and heating industry. Our product range and suppliers are from the best in the business and by using these suppliers we assure and maintain quality products to our customers*

## 4 COL 600mm High X 1196mm Wide 26 SEC Tubular Steel Heated Radiator



4 COL 600mm High X 1196mm Wide 26 SEC Tubular Steel Heated Radiator

**Price**

**Retail Price:** £415.81

**Your Savings:** £103.89

**Your Price:** £311.92

## Product Description

- 600mm High X 1196mm Length
- 600mm High 2 Columns 26 Sections White
- Non Condensing Boiler Output based DT60°C 4817 BTU'S 1412 Watts
- Condensing Boiler Output based DT50°C 3832 BTU'S 1123 Watts



## tubular

- Extremely elegant, perfectly smooth, laser-welded structure.
  - 2 to 6 column radiators, in heights from 300 - 2,000mm
  - 2-stage painted durable and non-corrosive finish.
  - Wide range of colors available by special order.
  - Supplied pre-welded and ready for installation. Delivered in sets of 2 to 30 sections, in length from 92 - 1380mm. Each section has a nominal width of 46mm.
  - Special plugs have been designed and patented to blend with the smooth curves of Tubolaser.
  - Supplied with 1" fittings.
  - Maximum operating pressures are 12 bars for 2/3/4 column radiators, 8 bars for 5 columns and 6 bar for 6.
- All heat outputs shown derive from tests and approvals to EN442, based on an average water temperature of 80°C and a room temperature of 20°C.
  - Fully guaranteed for 5 years from all defects caused by faulty materials or workmanship.

## Tubular Steel Radiators

For the architect and the interior designer, the radiator has always been a problem. The product's inherent nature, its appearance, shape, size and color limitations have, invariably, meant that creative compromise has been necessary.

Rarely could a room be designed in which aesthetics and heating requirements live together really perfectly. There was always a degree of sacrifice necessary on one side of the other.

With Tubular Steel Radiators, Biasi have created a radiator concept that delivers the best of all possible worlds.

Here is a radical range of radiators that not only sets new standards in manufacturing excellence and performance but also is capable of actually enhancing the design process by virtue of appearance and versatility - and that applies anywhere from homes to sports complexes, from public buildings to community centers.

## Important features of Steel Tubular Rails

### The enhancement of aesthetics any room

Biasi Tubular Steel Radiators are little short of individual works of art. These are radiators so attractive that they can become, effectively, integral elements within the whole interior design process, even driving that creative process.

The beauty of these radiators comes from the fact that they are manufactured using laser welding, the only technology that guarantees maximum precision, absolute cleanliness and a perfectly smooth finish without a trace of a weld joint in the finished product.

## Connections & Dimensions

All radiators are supplied with 1" left and right hand threaded tapings suitable for 1/2" B.S.P reducers (supplied). The radiator is manufactured with bottom, opposite end connections. Plug and vent supplied.

## Operating Pressures

Maximum operating pressure is 12 bars for 2, 3 & 4 column radiators.

## Sections

Radiator sections are supplied assembled ready for installation. Each section has a nominal length of 46mm (+/- 2mm).

## Heat Output

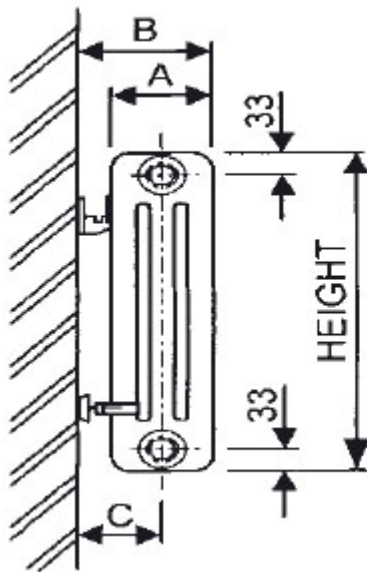
The heat output figures quoted have been derived from tests and approvals to EN442.

## Finish & Packaging

All radiators are finished in a superior white gloss RAL 9010 and individually packaged, being wrapped in heat shrink polythene film and double layered cardboard to prevent against damage and scratches in transit.

## Guarantee

Each radiator is fully guarantees for 5 years from the date of installation for any defects arising due to faulty materials or manufacture.



No. of Columns	A	B1	B2	C1	C2
2	63	93	103	62	72
3	101	131	141	81	91
4	139	169	179	100	110

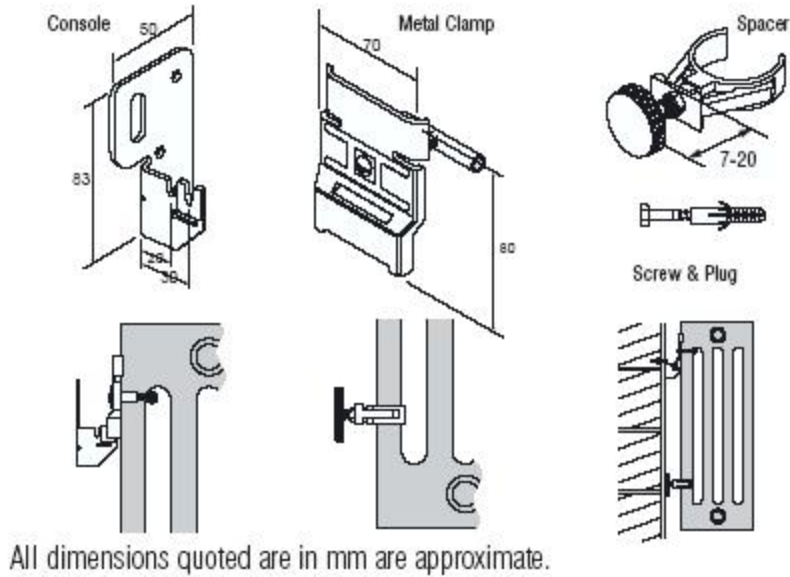
ALL DIMENSIONS QUOTED ARE  $\pm 2$ mm

Column B1 & C1 = radiator on mounting nearest to wall

Column B2 & C2 = radiator on mounting furthest from the wall.

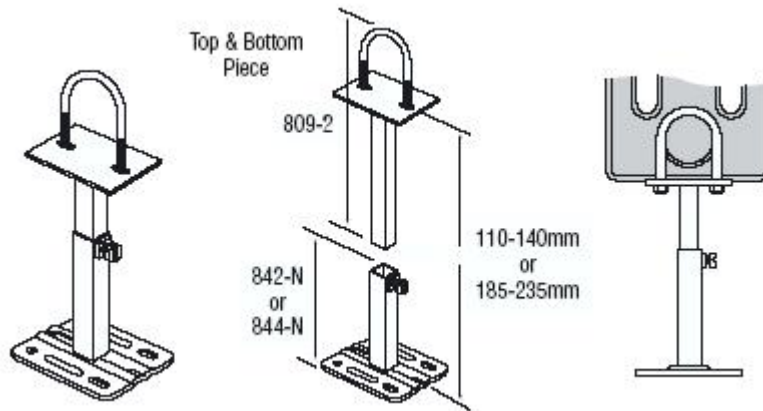
## Wall Brackets

There are two wall brackets kits supplied as standard with all radiators and the contents of each kit are shown below. These are sufficient to support the combined weight of the radiator and water content. However consideration should be given to the radiator location, site conditions & wall construction, to determine what extra (if any) provisions are to be made. Optional Floor Mounts are available, details and prices are shown below.



---

## Floor Mounts



Additional fixtures and fittings (not supplied) will be required to complete the installation of the wall brackets and floor mounts. The type of fixtures and fittings to be used will depend on the type of wall or floor construction.

## Contact Us

Head Office (Not show Room)  
Clayton Horsnell LTD  
Unit 6  
Corporation Yard  
2a Harwich Road  
Colchester  
Essex  
CO4 3BN

## Essex Show Room







This show room is used in conjunction with  
CC Discount Heating LTD & Clayton Horsnell Ltd  
as it is part of a family business :-  
2 – 4 Harwich Road  
Colchester  
Essex  
CO4 3BN

[www.heated-towel-rails-warmers.co.uk](http://www.heated-towel-rails-warmers.co.uk)

### Email addresses

Trade & Retail inquires [sales@tradeplumbing.co.uk](mailto:sales@tradeplumbing.co.uk)  
Returns [sales@tradeplumbing.co.uk](mailto:sales@tradeplumbing.co.uk)  
Web promotions/suggestions/problems [sales@tradeplumbing.co.uk](mailto:sales@tradeplumbing.co.uk)  
Advertising [sales@tradeplumbing.co.uk](mailto:sales@tradeplumbing.co.uk)

### PROBLEMS ORDERING ON LINE:-

Any ordering problems please contact support at [sales@tradeplumbing.co.uk](mailto:sales@tradeplumbing.co.uk)

Normally most problems when ordering are Ad-aware popup blockers. To solve this go to tools and internet options clear the cookies & history as this solves 90% of order problems.

Some times you will have to disable your popup blocker or allow pop-ups from our site. If you do have any problems or find faults on our website please email [sales@tradeplumbing.co.uk](mailto:sales@tradeplumbing.co.uk) .

## **WHY NO TELEPHONE NUMBERS FOR ORDERING**

If you would like to contact us directly we do offer an e-mail/phone back service but this is for limited usage as we prioritise emails. All you have to do is email us your information and any questions you need answering. We will either reply by phone/email with the answer to any questions.

We do this to cut costs of using a call centre thus competitive prices in reflection.

## **NEED HELP**

We have added a mobile phone number to help you if in you need to consult someone in a difficult situation. We only offer these services as the last resort for you as the customer.

We do not have a phone system as this will increase the prices of our products. As a company that prides itself on customer service and competitive pricing we give you - the customer the best price in the UK and to do this we have to cut costs.

**IF YOU DO NEED TO CONTACT US BY PHONE PLEASE CALL  
(BETWEEN THE HOURS OF 9AM-5PM ONLY ON 0870 803 4288.  
ONE OF THE TEAM WILL TRY TO HELP WITH YOUR PROBLEM**